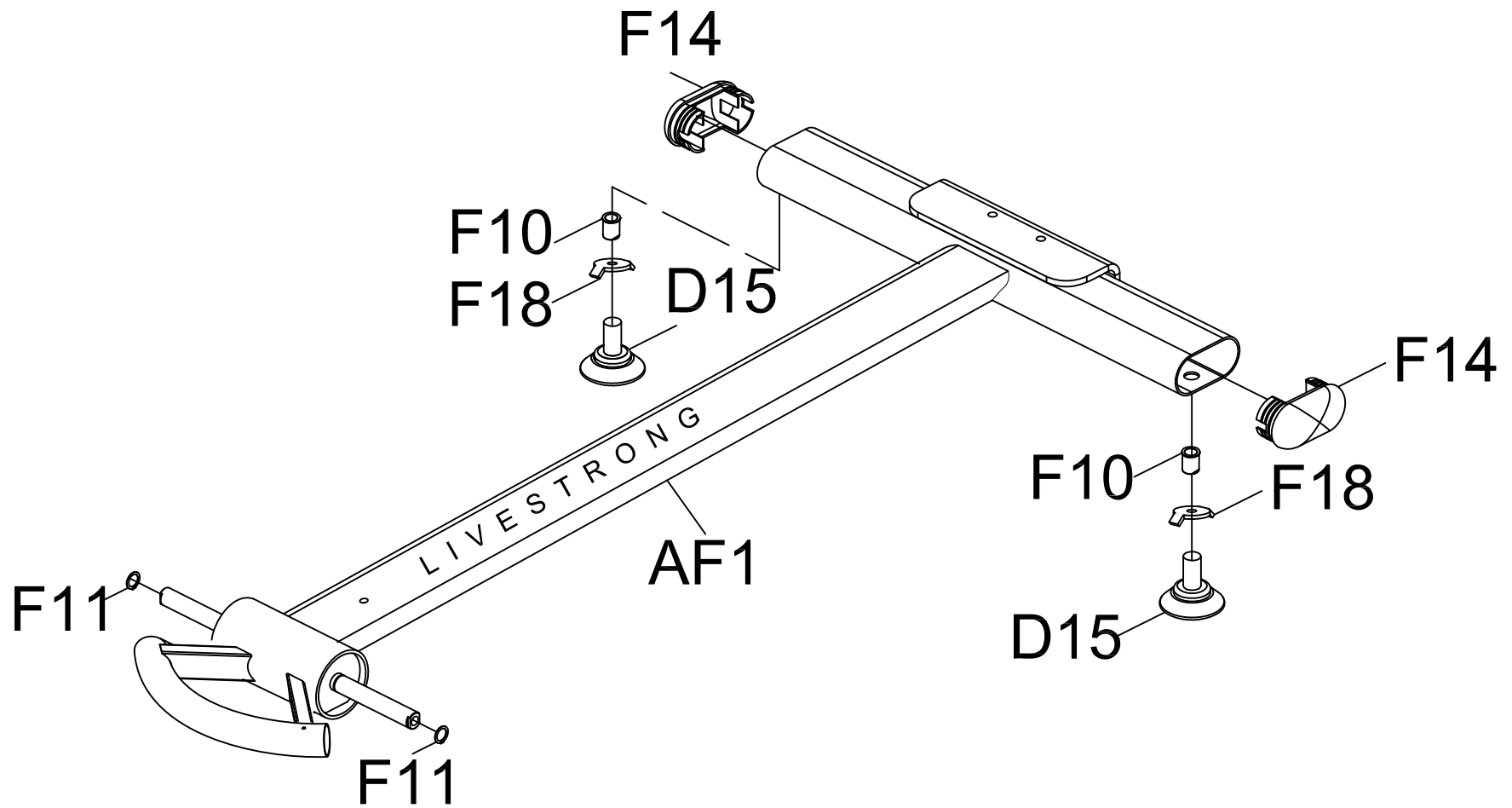
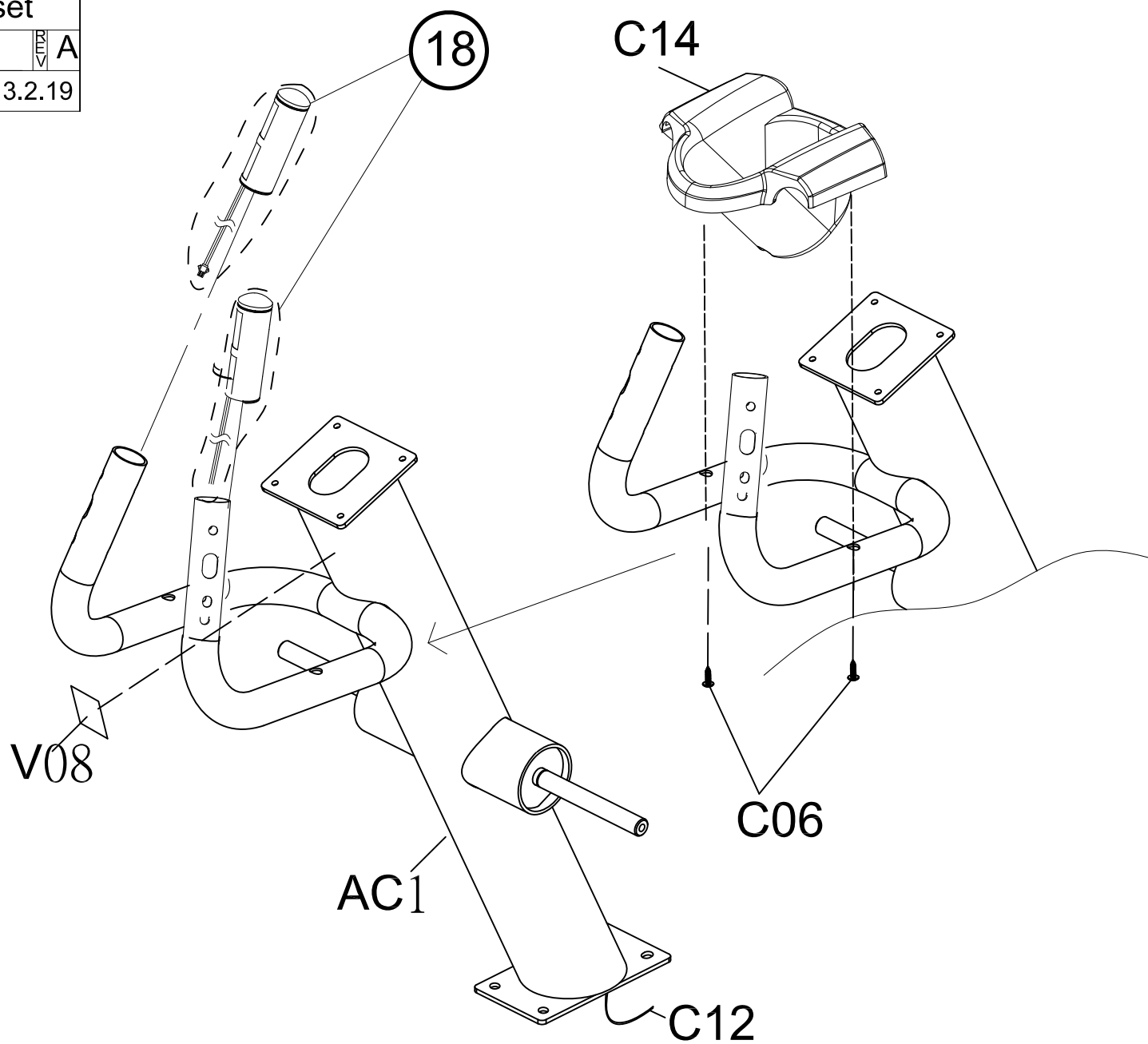




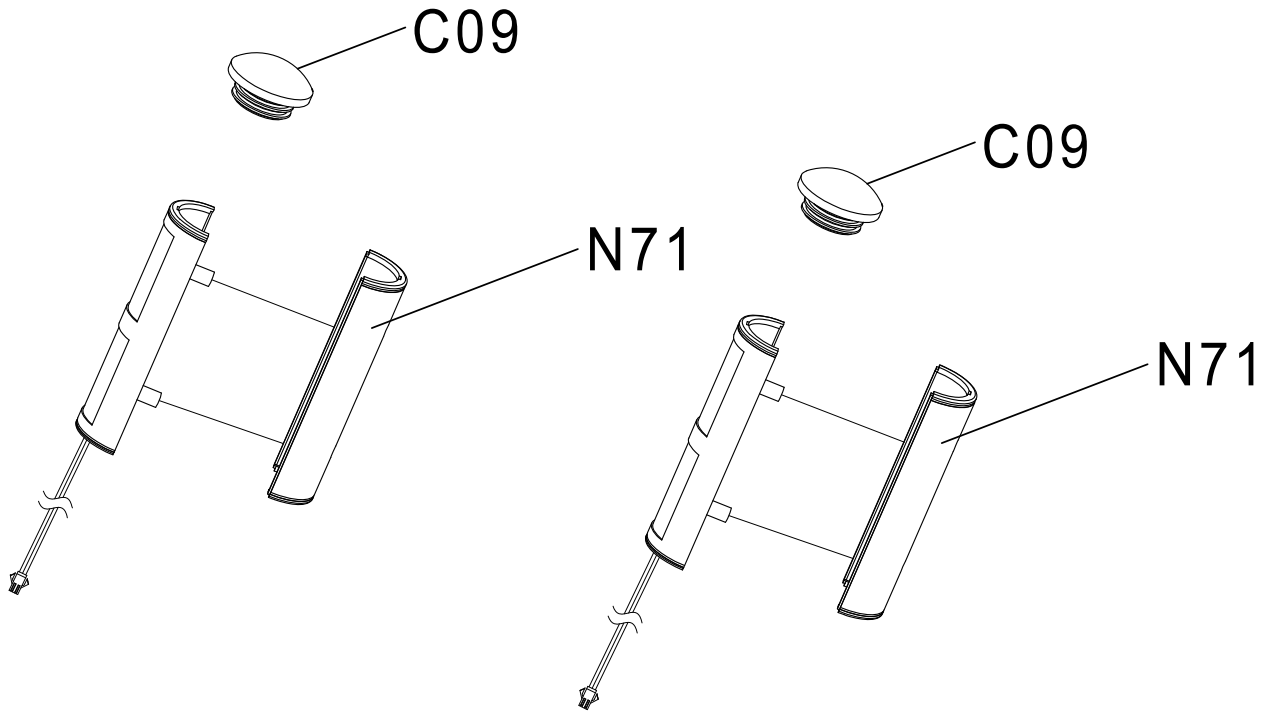
DRAWING NO	EP573-A12		
PART NAME	Back Frame Set		
PART NO	1000305214	REV	B
APPROVE	Fuzifeng	DATE	2013.2.19



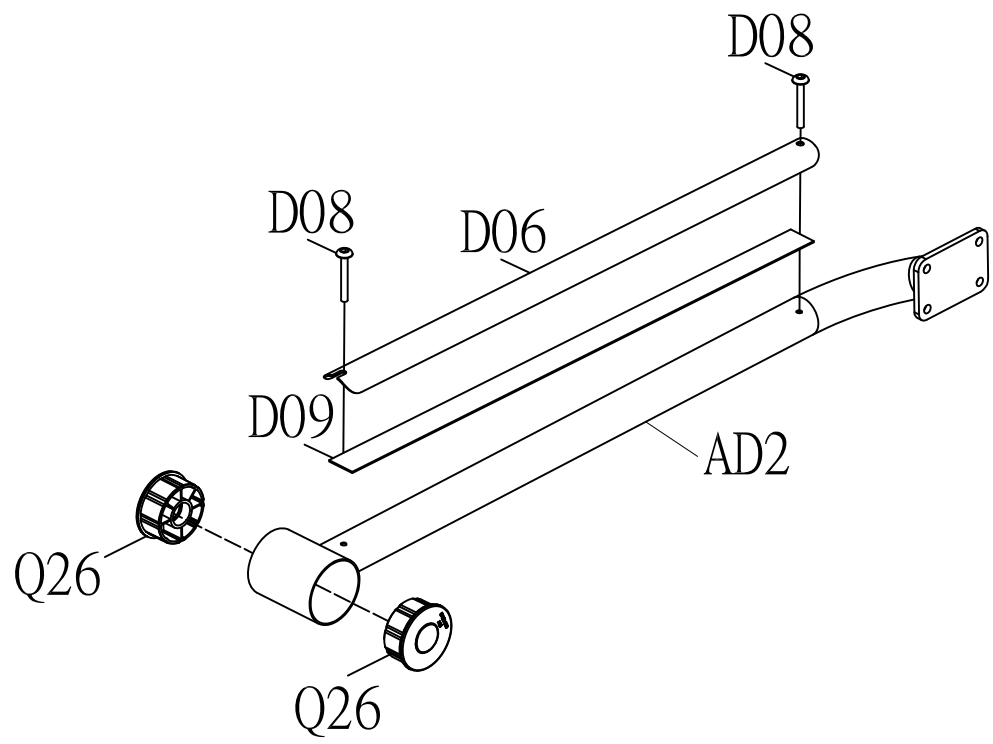
DRAWING NO	EP573-A13		
PART NAME	Console mast set		
PART NO	1000305215	REV	A
APPROVE	fuzifeng	DATE	2013.2.19



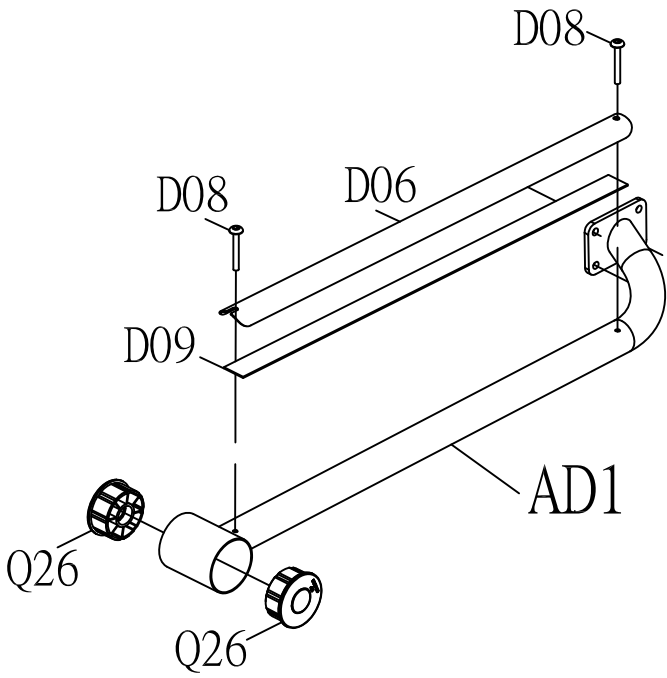
DRAWING NO	EP554-A11		
PART NAME	HP GRIP SET		
PART NO	1000216888	REV	B
APPROVE		DATE	2012.03.26



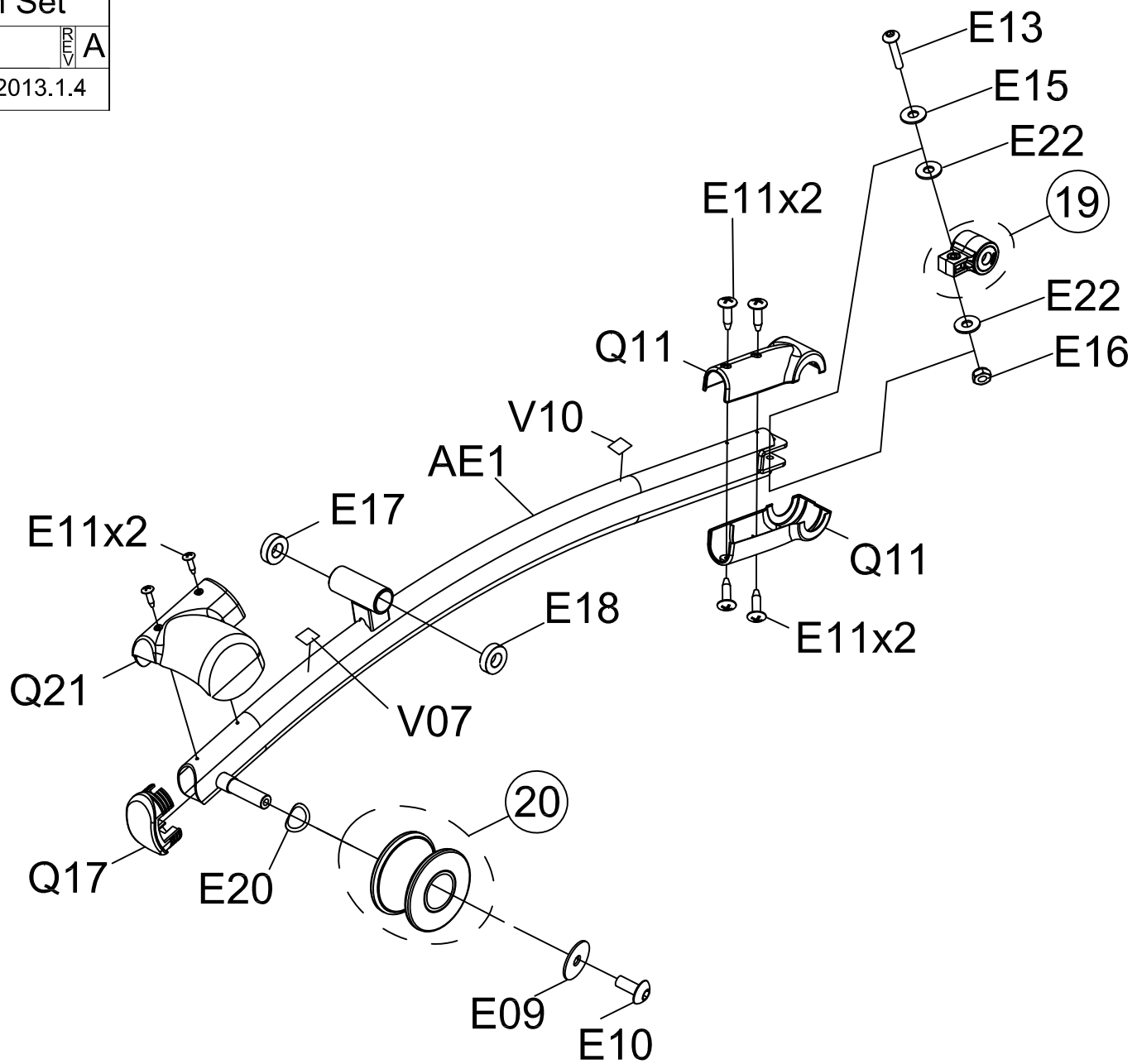
DRAWING NO	EP573-A14		
PART NAME	Left Guide rail set		
PART NO	1000305218	REV	A
APPROVE	fuzifeng	DATE	2013.1.4



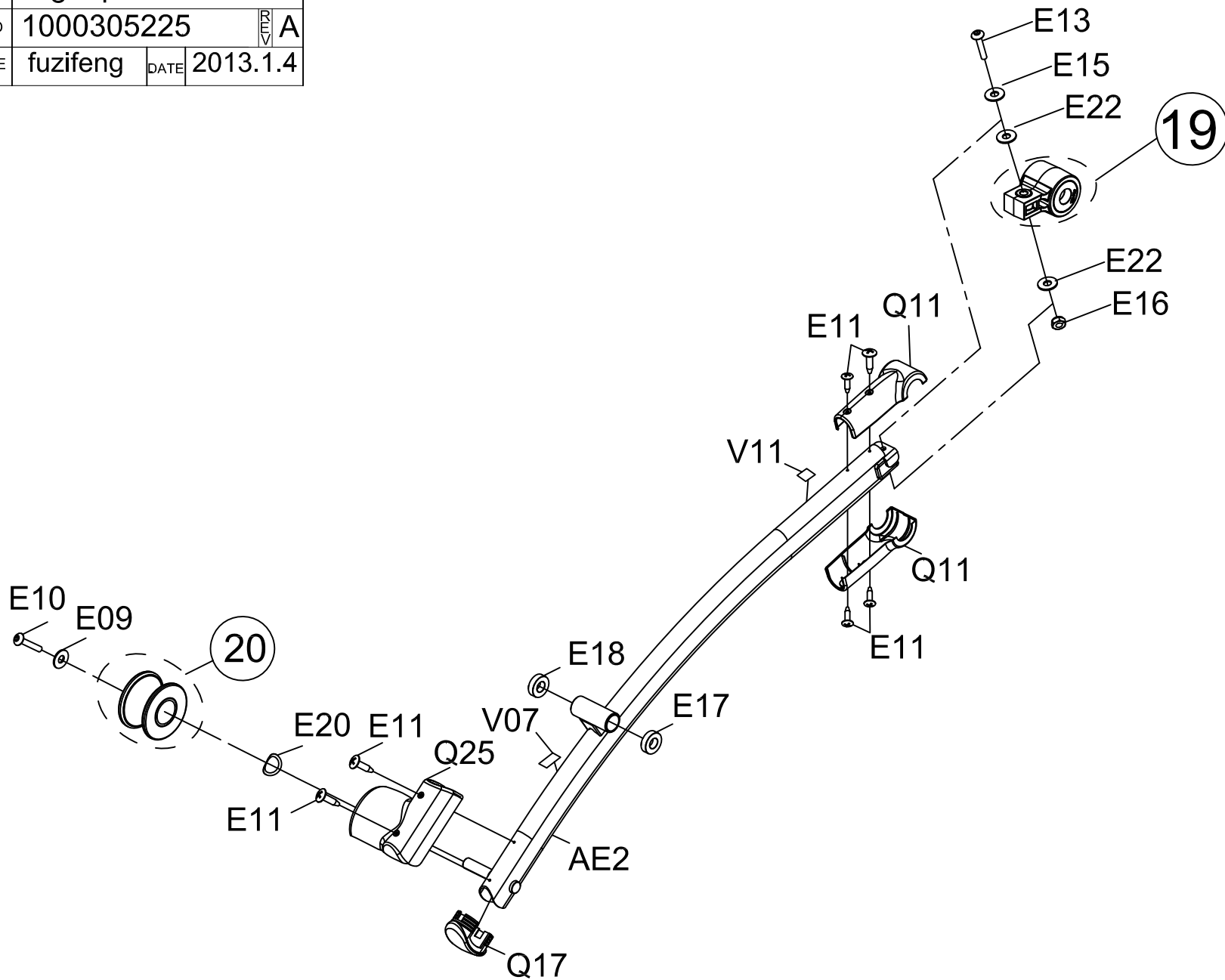
DRAWING NO	EP573-A15		
PART NAME	Right Guide rail set		
PART NO	1000305219	REV	A
APPROVE	fuzifeng	DATE	2013.1.4



DRAWING NO	EP573-A16		
PART NAME	Left pedalarm Set		
PART NO	1000305221	REV	A
APPROVE	fuzifeng	DATE	2013.1.4

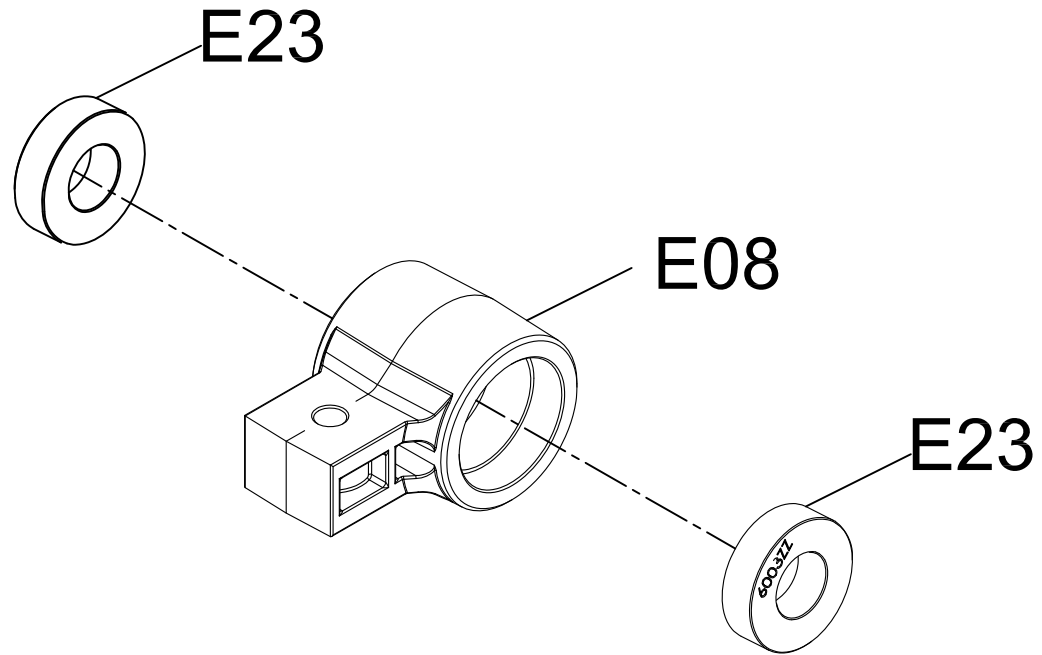


DRAWING NO	EP573-A17		
PART NAME	Right pedalar set		
PART NO	1000305225	REV	A
APPROVE	fuzifeng	DATE	2013.1.4

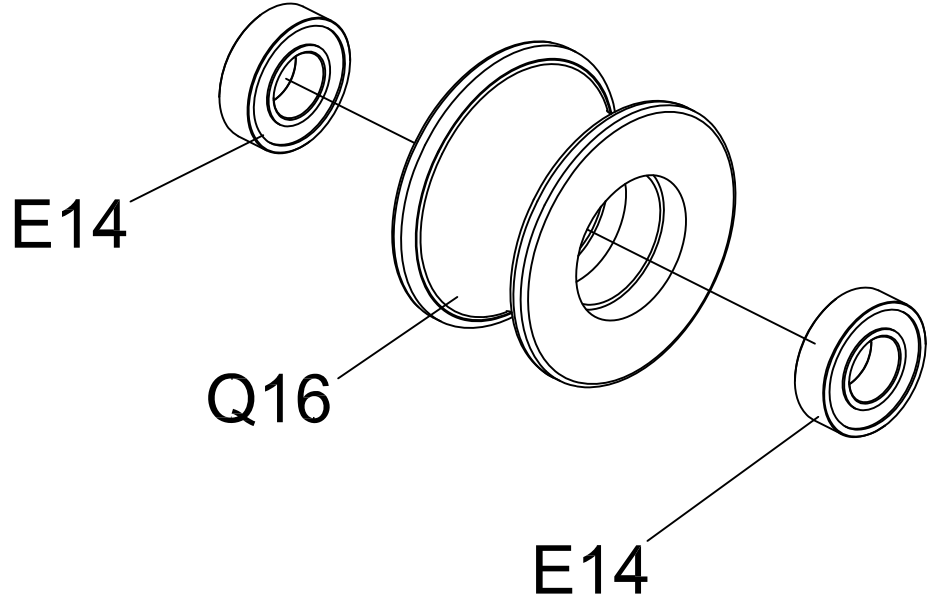




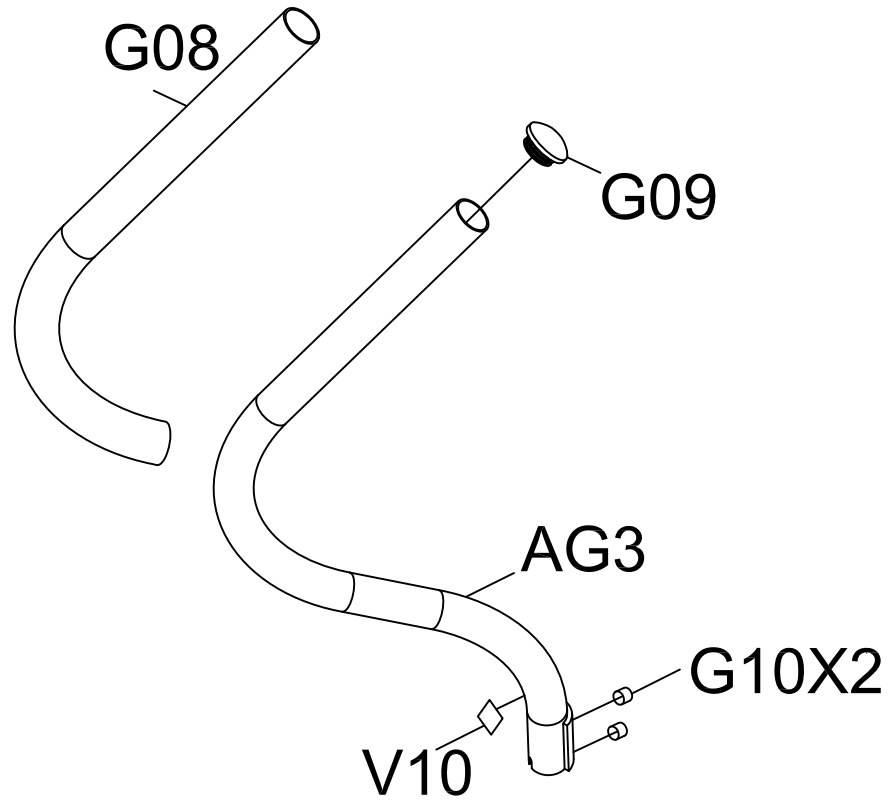
DRAWING NO	EP566-A26		
PART NAME	Crank Pin Set		
PART NO	1000229051	REV	A
APPROVE		DATE	2012.02.03



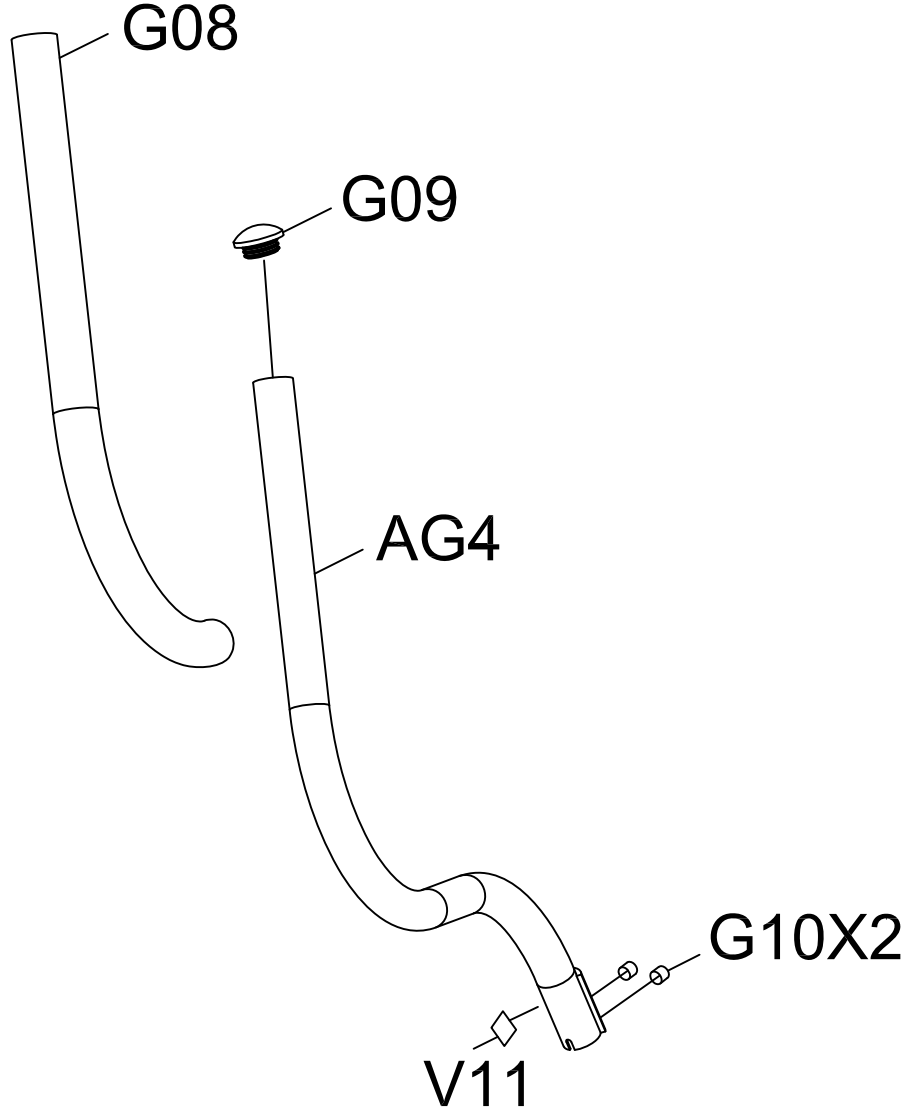
DRAWING NO	EP573-A25		
PART NAME	Wheel Set		
PART NO	1000305222	REV	A
APPROVE	Fuzifeng	DATE	2013.1.4



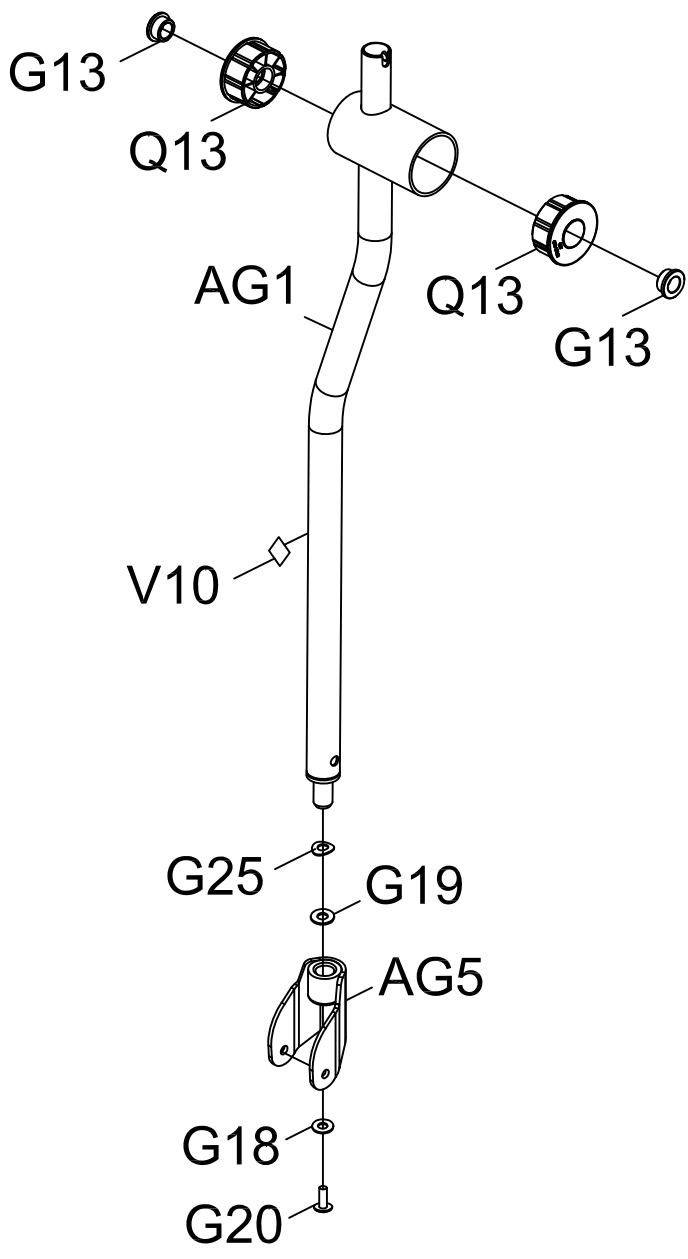
DRAWING NO	EP573-A18		
PART NAME	Arm Rest Set;Left up		
PART NO	1000305228	REV	A
APPROVE	fuzifeng	DATE	2013.1.4



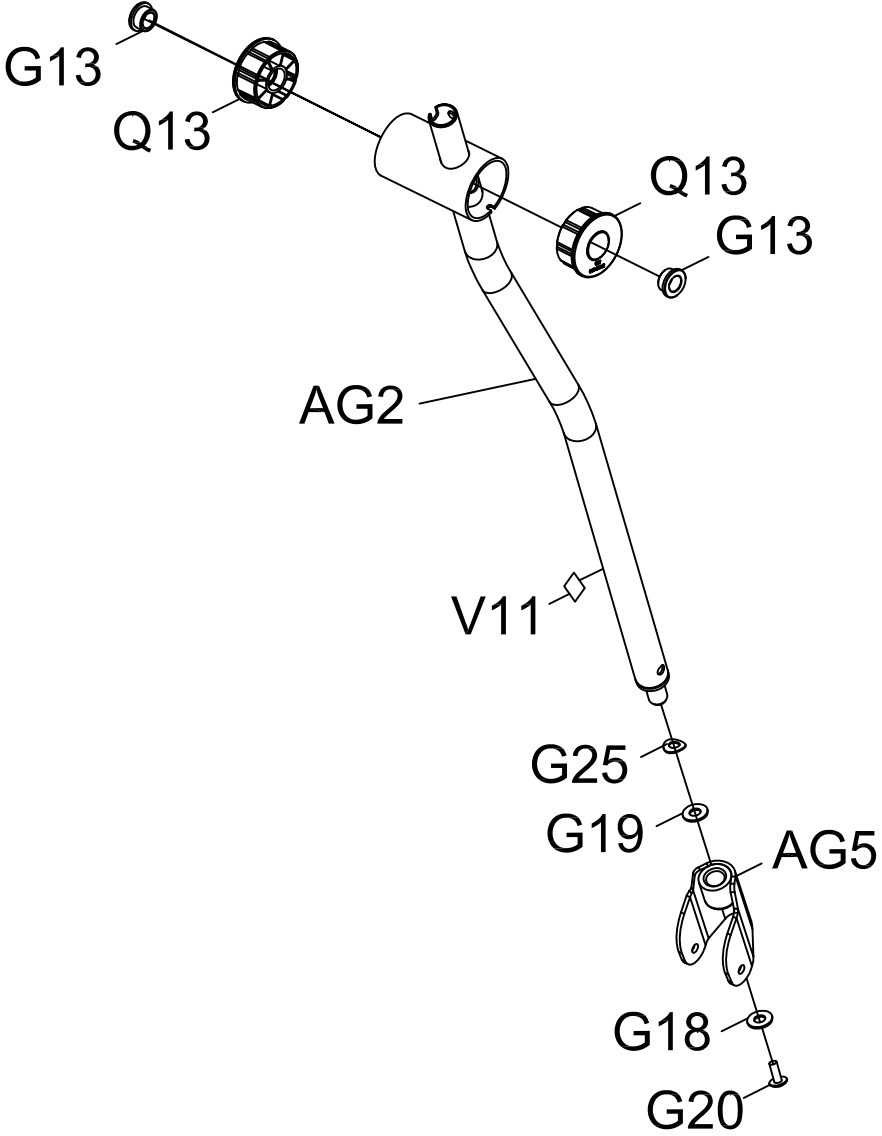
DRAWING NO	EP573-A19		
PART NAME	Arm Rest set ; Right up		
PART NO	1000305231	REV	A
APPROVE	fuzifeng	DATE	2013.1.4



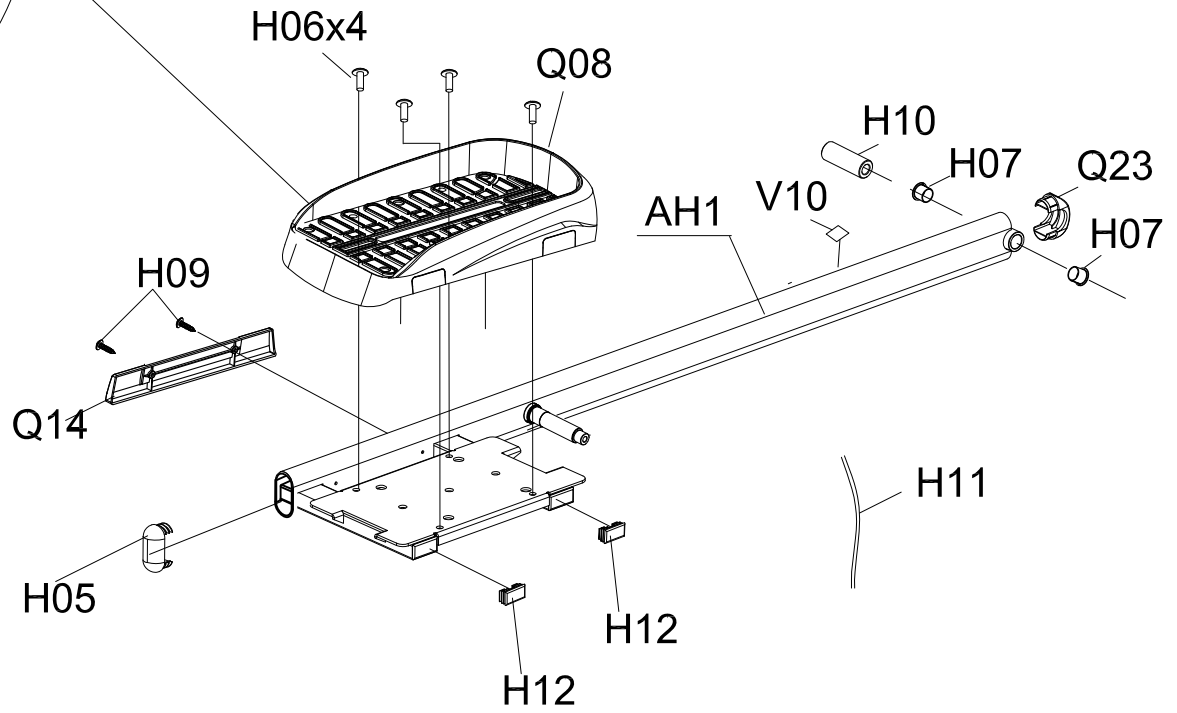
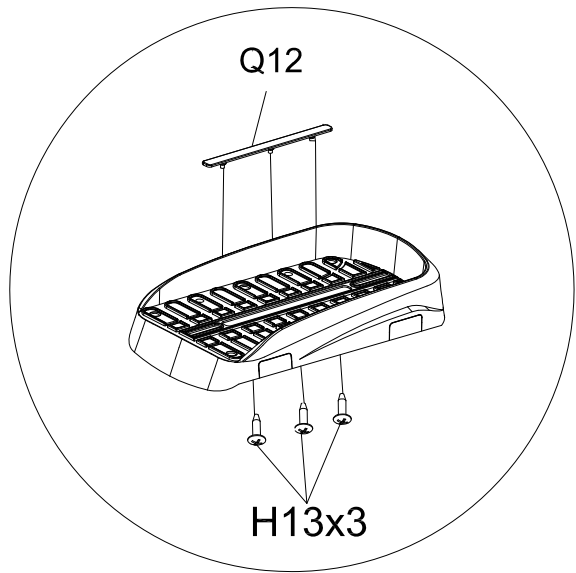
DRAWING NO	EP573-A20		
PART NAME	Arm Rest Set;Left Down		
PART NO	1000305236	REV	A
APPROVE	Fuzifeng	DATE	2013.1.4



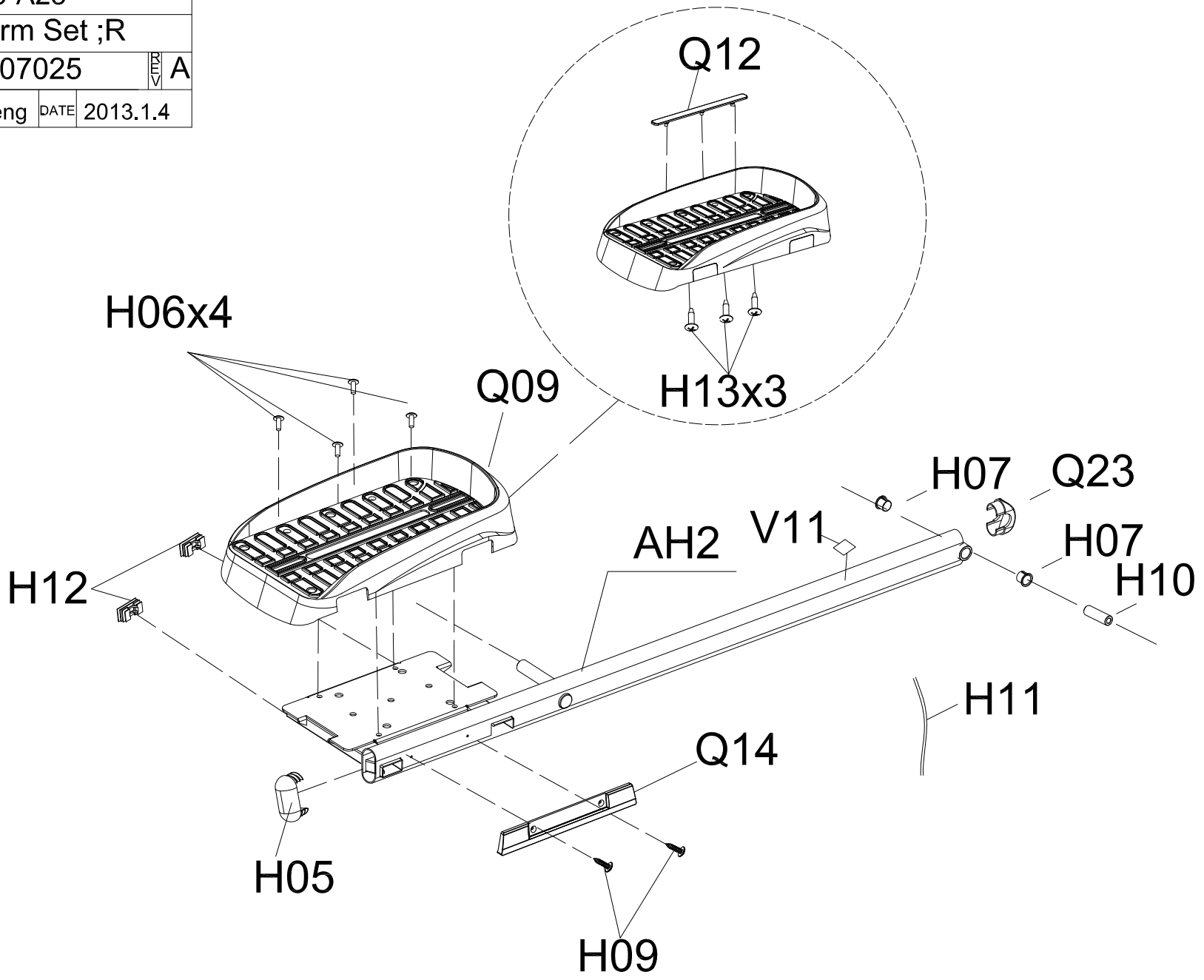
DRAWING NO	EP573-A21		
PART NAME	Arm Rest Set;Right down		
PART NO	1000307023	REV	A
APPROVE	Fuzifeng	DATE	2013.1.4



DRAWING NO	EP573-A22		
PART NAME	Link Arm Set ;L		
PART NO	1000307024	REV	A
APPROVE	Fuzifeng	DATE	2013.1.4



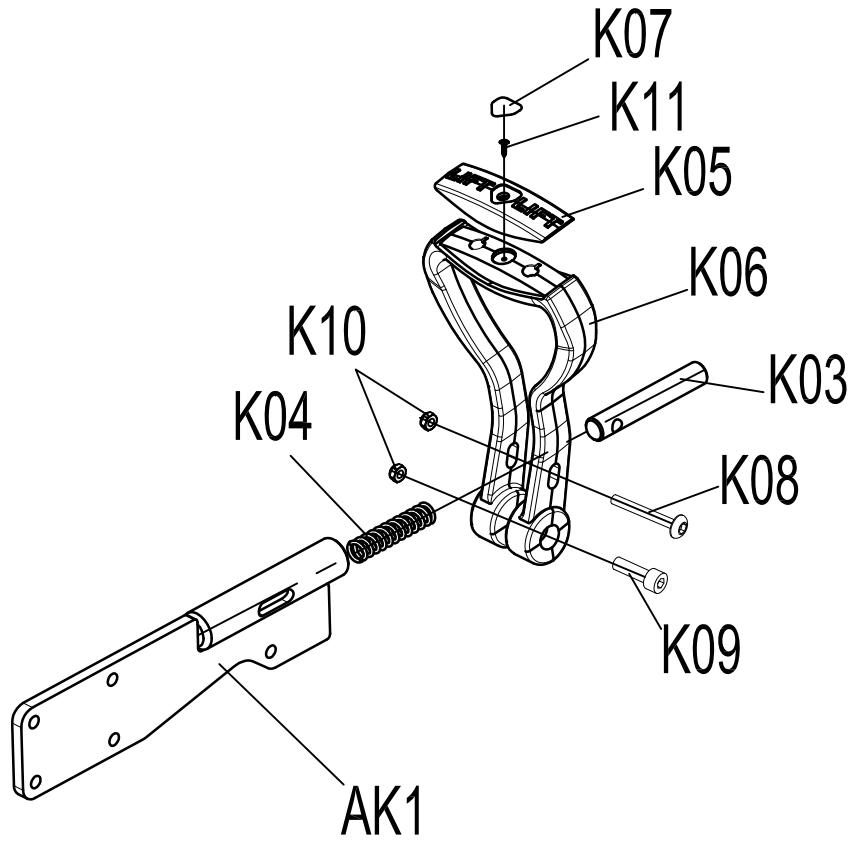
DRAWING NO	EP573-A23		
PART NAME	Link Arm Set ;R		
PART NO	1000307025	REV	A
APPROVE	Fuzifeng	DATE	2013.1.4



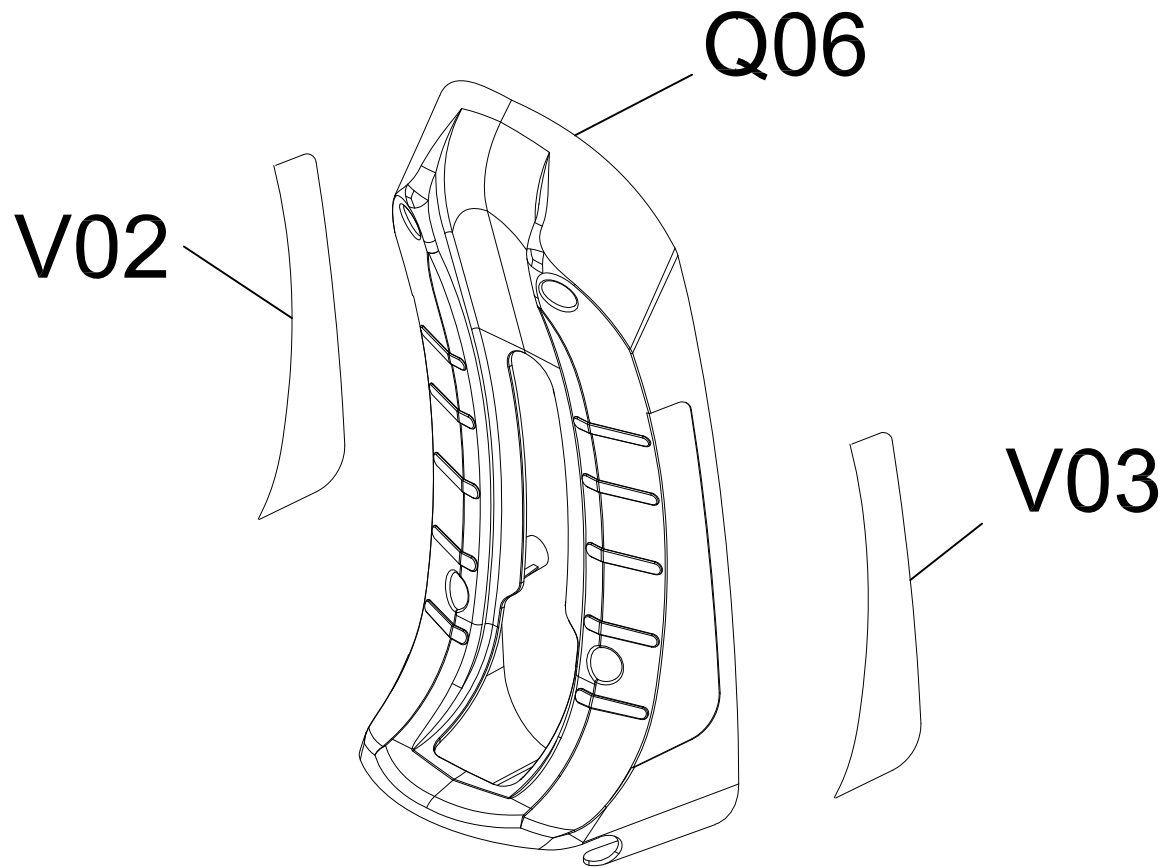




DRAWING NO	EP573-A24		
PART NAME	Singkang linkage set		
PART NO	1000307028	REV	A
APPROVE	Fuzifeng	DATE	2013.1.4



DRAWING NO	EP573-A27		
PART NAME	Cover SET;STABILIZER;M		
PART NO	1000307039	REV	A
APPROVE	Fuzifeng	DATE	2013.1.4



DRAWING NO	EP558-A23		
PART NAME	Stabilizer Set		
PART NO	1000229969	REV	A
APPROVE	Dary	DATE	2012.02.14

